

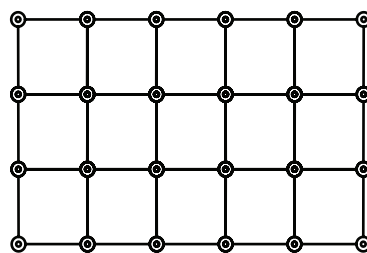
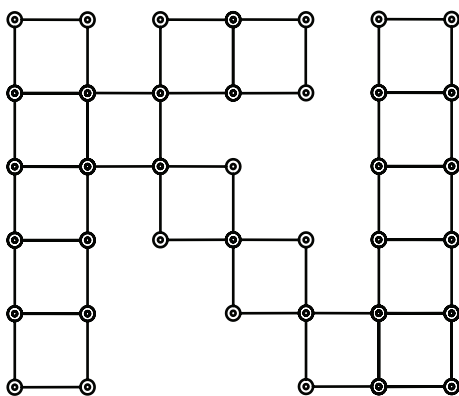
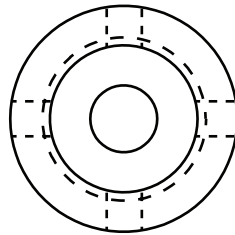
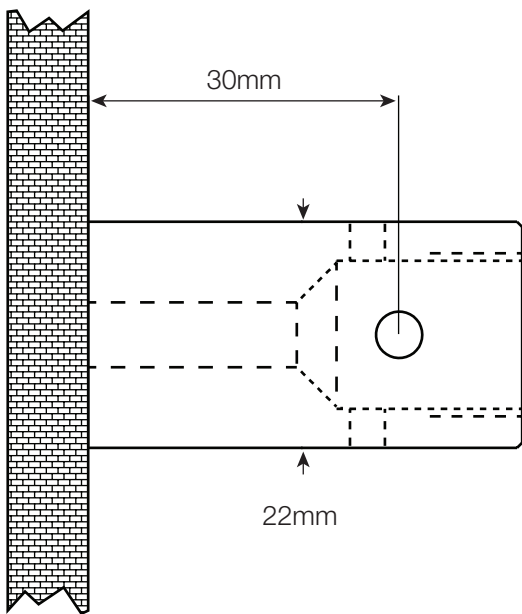


Green Wall System

The Green Wall wire trellis hub is an easy to fit component which fastens to any surface. The simplicity of this system allows for many shapes. Vertical, horizontal or even a random pattern, the final shape is down to your imagination. All components are manufactured from high grade stainless steel 316 offering high corrosion resistance, an ideal material for outdoor applications.

Incredibly easy to fit-it screws directly into timber or into masonry with appropriate plastic screw plugs. The cylindrical hubs have a central screw which can be tightened with an Allen key to grip onto the 3mm diameter stainless steel wire

Design your own trellis shape using the trellis hub. L-shape, horizontal, vertical, fan shaped or random patterns are all easily produced. When in position, the hubs keep the wires 30mm from the surface allowing ample room for plant growth.



○ Great Circle Rigging:

Great Circle Rigging
181-183 Coast Road
Cochrane Park
Newcastle Upon Tyne
NE7 7RR

T: +44 (0)191 240 0435

F: +44 (0)191 240 0436

enquiries@greatcirclerigging.co.uk

www.greatcirclerigging.co.uk

